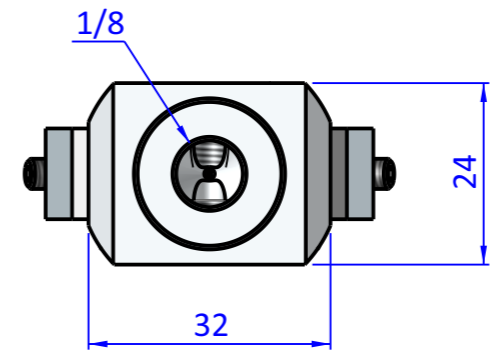
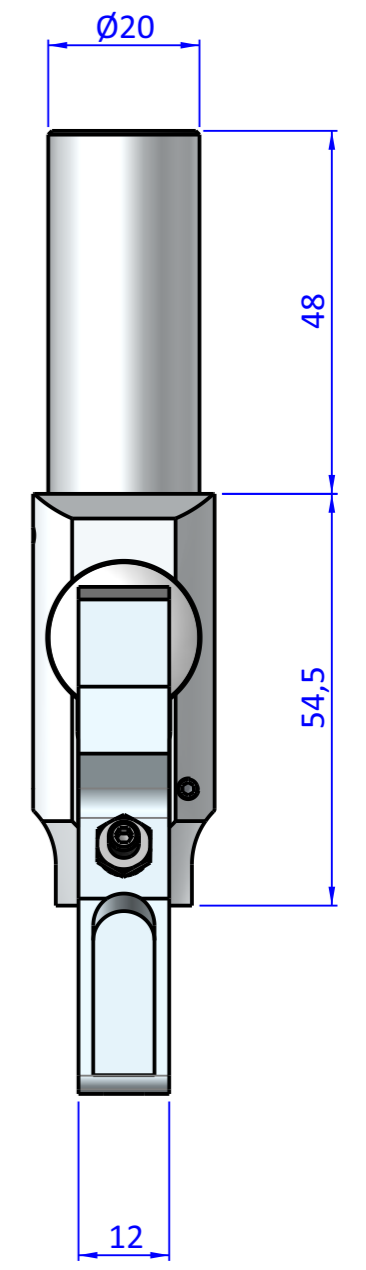
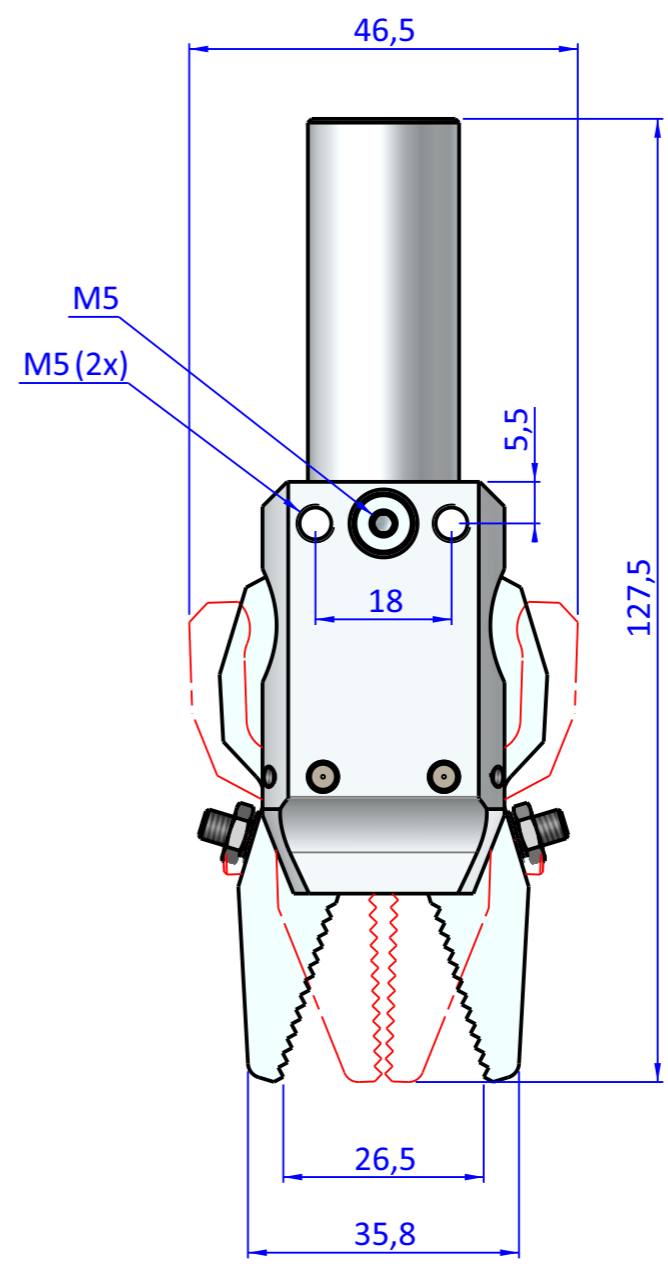
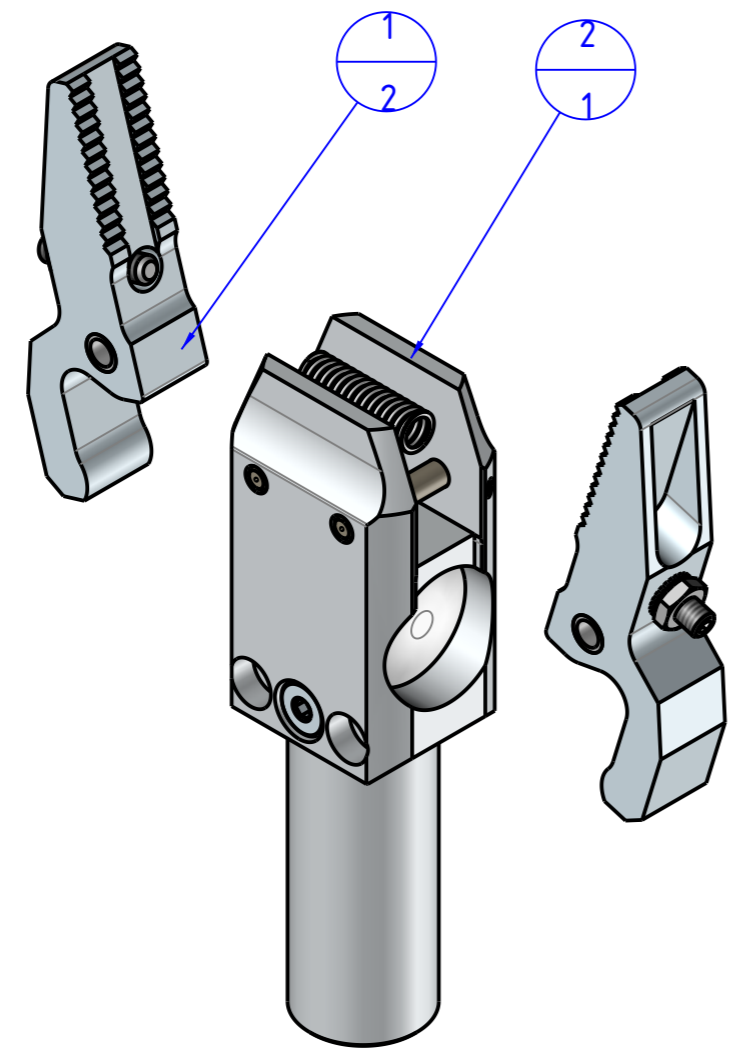

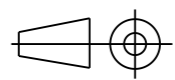


THE PROPERTY OF THE DRAWING IS ESTABLISHED BY LAW. IT IS FORBIDDEN TO PRODUCE OR SHOW IT TO THIRD PART - WITHOUT A WRITTEN AGREEMENT.

Item	Name	Qty.
1	GTS.04.12	2
2	GTS.04.G18	1



 FPS SERVICES AUTOMATION			DESIGNED FROM FPS Automation	REVIEW A
GENERAL TOLERANCE UNI - ISO 2768 CLASSE f		DESCRIPTION CA.GTS.1004.1212	DATE 21/09/2021	WEIGHT 0,204kg
		CODE CA.GTS.1004.1212		

Format A3
UNI 936-76